

Features

- Modern design.
- Ceramic sink with overflow.
- Sink features counter space.
- Water resistant exterior vanity panels.
- 4 Soft-closing drawer.
- Black cabinet handles.

Material

- White ceramic integrated sink.
- Engineered wood vanity base.
- Matte black metal legs.

Installation

- Floor standing installation.

Configurations

- Two hole.
- No hole (special order).
- Six hole (special order).

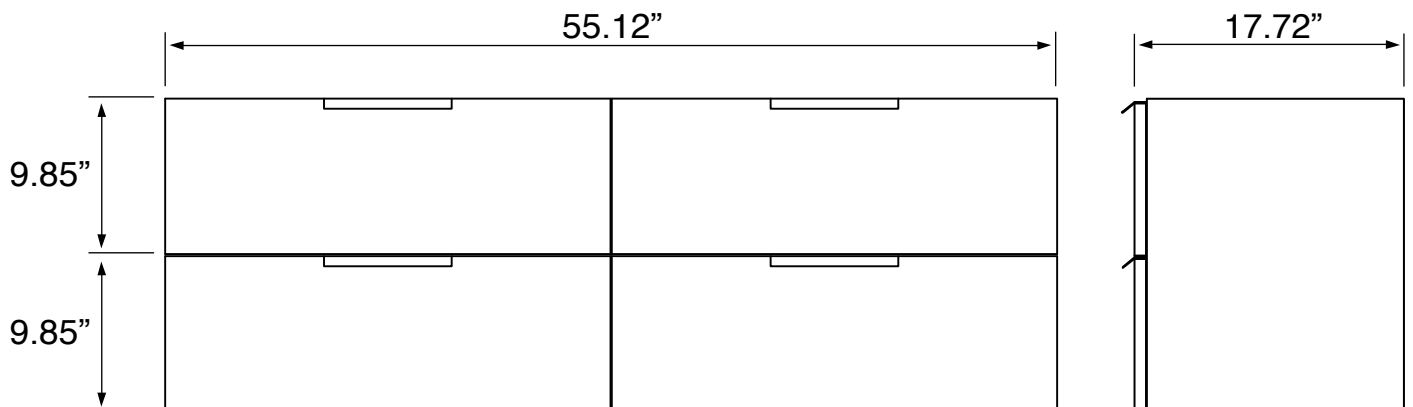
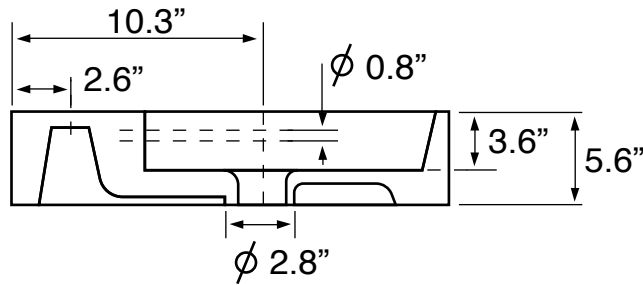
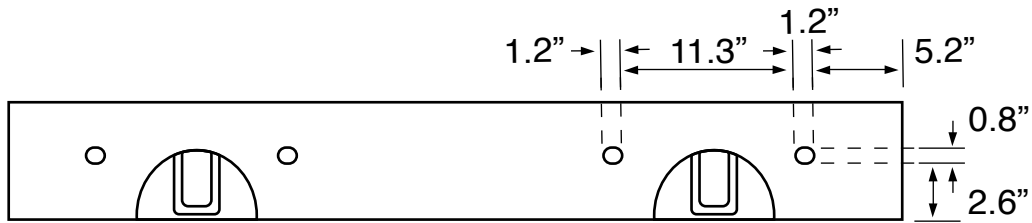
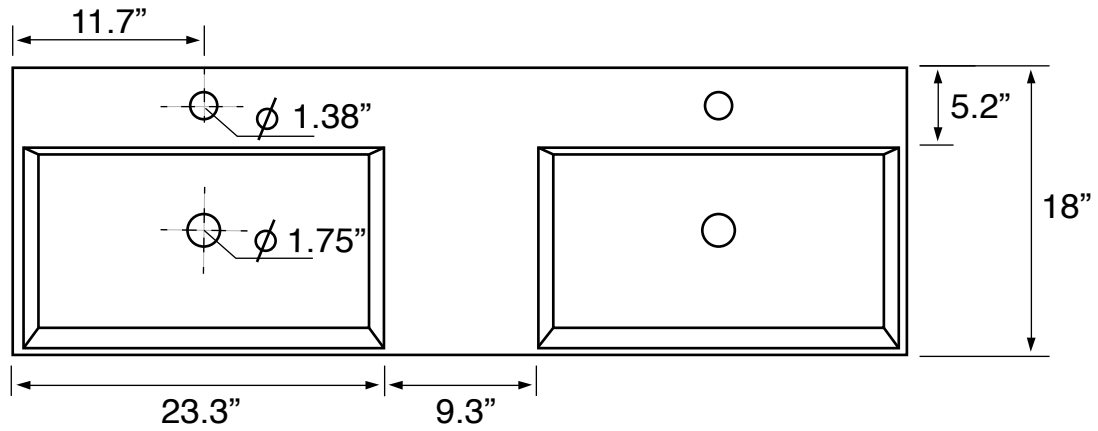


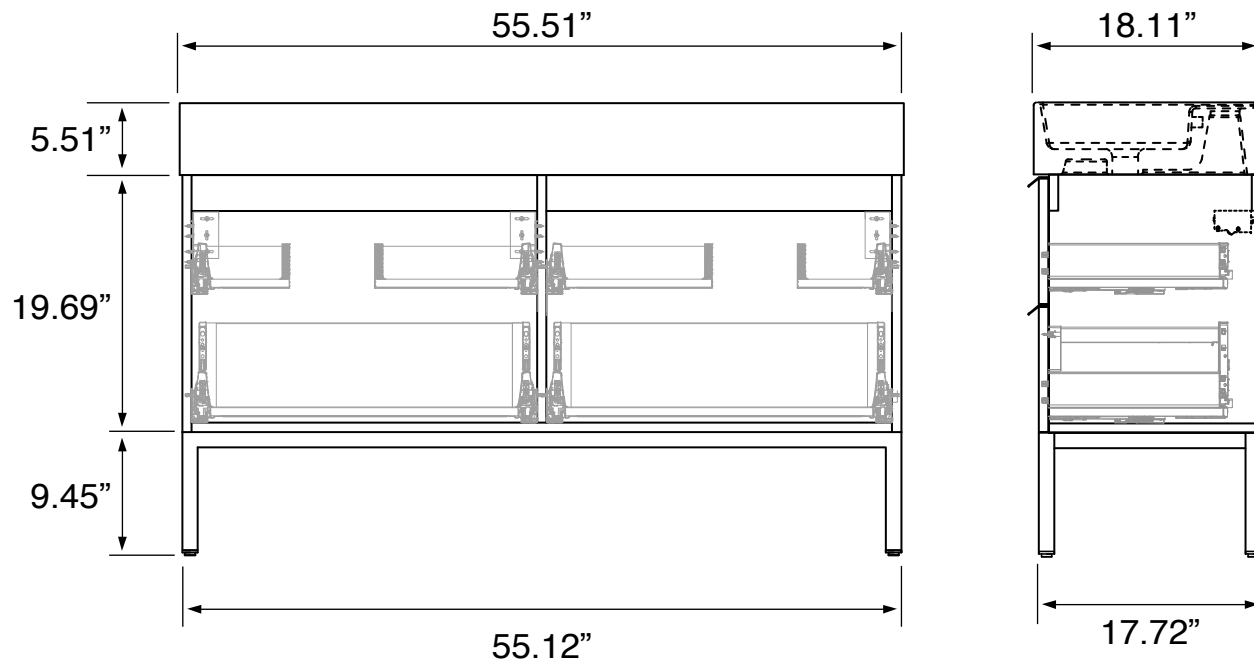
Nameek's One-Year Limited Warranty

See website for warranty information details.

Vanity Cabinet Color/Finish Details

Color	Description
	Brown Oak





Technical Information

Bowl type:	Double
Installation:	Floor standing
Bowl dimensions:	Depth: 3.54" Width: 12.8" Length: 23.23"
Drain hole:	1.75"
Faucet hole:	1.38"
Hole configurations:	0, 2, 6
Weight:	210 lbs

Notes

Install this product according to the installation instructions.

Includes mounting hardware.